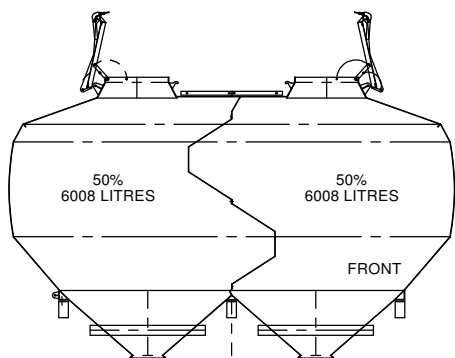
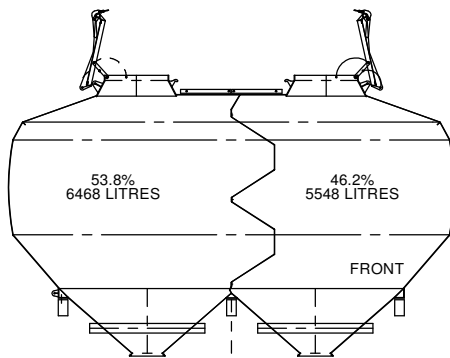


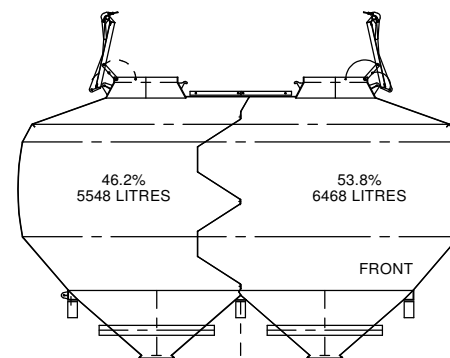
DO NOT SCALE - IF IN DOUBT ASK



Split 1



Split 2



Split 3

12000 Double Bin

Total Useable Volume Given
a 25 Degree Angle of Repose is:
12016 Litres

Fabrication Note

Finish:

General Tolerances

Linear Dimensions

- X ±1mm (whole numbers)
- X.X ±0.5mm (one decimal place)
- X.XX ±0.25mm (two decimal places)

Angular Dimensions

All Angles ±2°

This drawing is the property of
Simplicity (Australia) Pty. Ltd.
It must not be used for any
purpose other than that for
which it is supplied.
Reproduction in whole or
part is prohibited without
written authority from
Simplicity (Australia) Pty. Ltd.

DRN: _____
DATE: _____
APPRD: _____
DATE: / /
SCALE: 1:56.4



SIMPLICITY (AUSTRALIA) PTY LTD
18 LOUDOUN RD DALBY 4405 PH (07) 4662 2977 FAX (07) 4660 6050

DRAWING NUMBER

12000 Double Bin Splits

REV

SHEET

1 OF 1

A4